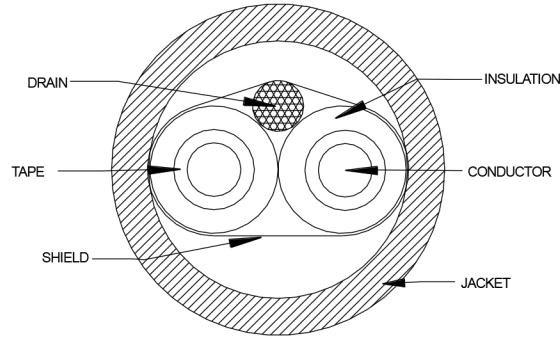


14 AWG Solid 2/C VITALink® Shielded Circuit Integrity Cable



1. Construction:

- 1.1. Conductors: 14 AWG Solid Bare Copper, 0.0641” Nominal Diameter
- 1.2. Tape: Flame Retardant Tape
- 1.3. Insulation: Low Smoke Zero Halogen Thermoset Fire-Roc™ 0.142” Nominal Diameter & 0.029” Nominal Wall Thickness
- 1.4. Color Code: Red, Black
- 1.5. Cable Assembly: Cable (2) Conductors Nominal 5” LHL
- 1.6. Drain: 18 AWG Stranded Bare Copper
- 1.7. Shield: Copper/Polyester Tape
- 1.8. Jacket: Non Halogen Flame Retardant Polyolefin Compound, Nominal Overall Diameter, 0.359”, Nominal Wall Thickness 0.034” Color: RED

1.9. Jacket Print:

COMTRAN CABLE LLC LSZH VITALink® FPLR-CI-LS CL3R-CI-LS 2/C 14AWG 105C SUN RES WET FRR-2HR FOR USE IN FHIT SYSTEM 40A & FHIT7 SYSTEM 40A MAX VOLTAGE 72V ULC-S139 W/HOSE STREAM OR CSA FAS105 FT4 ST1 PN36316 (MMYY) 000002 (01-12345)


2. Compliance:

- 2.1. (UL) Listed Type FPLR-CI-LS
- 2.2. (UL) Listed PLTC-CI-LS
- 2.3. CSA Listed FAS 105 FT4 ST1
- 2.4. UL Subject 1424 Power Limited Fire Alarm Circuits; 300V/105°C Classified
- 2.5. UL Subject 13 Power Limited Circuit Cables; 300V/105°C Classified
- 2.6. ANSI/UL 2196 2-Hour Fire Rating for use in FHIT System 40A
- 2.7. CAN/ULC-S139 2-Hour Fire Rating with Hose Stream for use in FHIT7 System 40A
- 2.8. NFPA 70 & 72
- 2.9. California State Fire Marshal Approved
- 2.10. NYC Electrical Advisory Board #54502, April 2017
- 2.11. RoHS Compliant

3. Physical Characteristics:

- 3.1. Nominal Conductor DCR @ 68F: 2.57 Ω
- 3.2. Nominal Weight per 1000 FT: 64 Lbs.
- 3.3. Min Bend Radius: 4”
- 3.4. Maximum Pull Tension – Straight runs: 66 Lbs./Ft.

NOTE: MMY is 4 Digit Month/Year
Sequential Footage Markings Every Two Feet

| Part No: | | Title: | |  | |
|-----------|----------|---|------|---|------------|
| 2HR-36316 | | Comtran VITALink 2 Hour Fire Resistant Cable, 14 AWG, Solid, Shielded | | | |
| Rev | Date | Detail | Eng. | App. | |
| 07 | 05/24/18 | FAS 90 to 105 | PB | WC | ECN 18-067 |
| 06 | 09/29/17 | UPDATE LEGEND | PB | RN | ECN 17-102 |
| 05 | 06/07/17 | Additional listings add NYC EAB# | PB | RN | |
| 04 | 05/10/17 | Update to Print and Compliance section | PB | RN | |
| 03 | 08/16/16 | Update Print | PAB | RN | |
| 02 | 06/15/16 | Change part number to 36316 from 35787 | PAB | RN | |
| 01 | 06/02/16 | First Release | PAB | RN | |

Comtran Cable LLC Reserves the right to change the information above without prior notification. Comtran Cable LLC assumes no risk, and is not liable for direct or indirect, or consequential damages, resulting from the use of this document